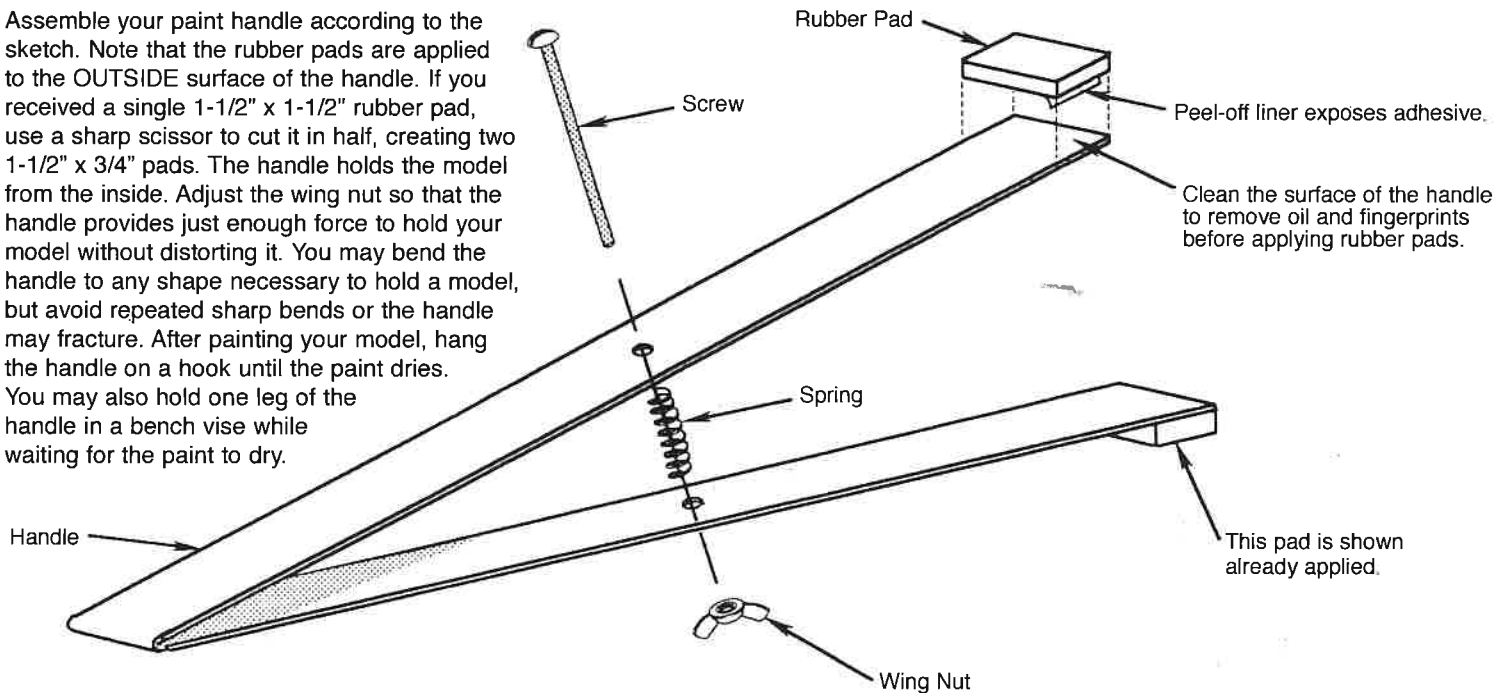


#80968 PAINT HANDLE INSTRUCTIONS

Assemble your paint handle according to the sketch. Note that the rubber pads are applied to the OUTSIDE surface of the handle. If you received a single 1-1/2" x 1-1/2" rubber pad, use a sharp scissor to cut it in half, creating two 1-1/2" x 3/4" pads. The handle holds the model from the inside. Adjust the wing nut so that the handle provides just enough force to hold your model without distorting it. You may bend the handle to any shape necessary to hold a model, but avoid repeated sharp bends or the handle may fracture. After painting your model, hang the handle on a hook until the paint dries. You may also hold one leg of the handle in a bench vise while waiting for the paint to dry.

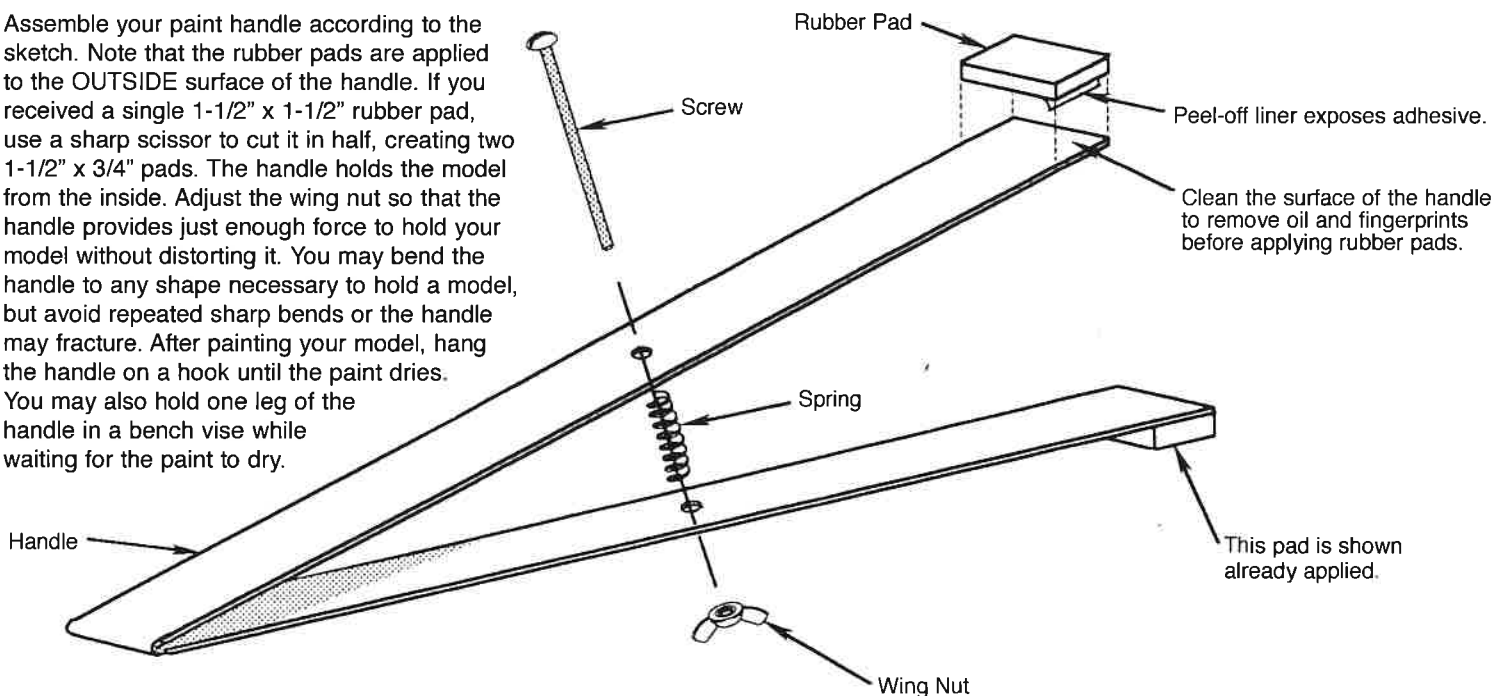


Replacement rubber pads (#80971) are available from Micro-Mark. Call 1-800-225-1066 to place your order.

MM012522

#80968 PAINT HANDLE INSTRUCTIONS

Assemble your paint handle according to the sketch. Note that the rubber pads are applied to the OUTSIDE surface of the handle. If you received a single 1-1/2" x 1-1/2" rubber pad, use a sharp scissor to cut it in half, creating two 1-1/2" x 3/4" pads. The handle holds the model from the inside. Adjust the wing nut so that the handle provides just enough force to hold your model without distorting it. You may bend the handle to any shape necessary to hold a model, but avoid repeated sharp bends or the handle may fracture. After painting your model, hang the handle on a hook until the paint dries. You may also hold one leg of the handle in a bench vise while waiting for the paint to dry.



Replacement rubber pads (#80971) are available from Micro-Mark. Call 1-800-225-1066 to place your order.

MM012522